



visionLINE™
FIREPLACE & FLUE SYSTEMS

VisionLINE designs, creates and manufactures premium quality fireplaces, venting systems and fireside accessories to meet the unique requirements in the Australian market. Modern, cutting edge designs incorporated into durable and made to last products make your investment in VisionLINE products a lifetime relationship.

visionLINE™

Made and designed in Europe

SPIN

Making a strong statement, whilst heating beautifully and efficiently, the VisionLINE Spin wood burning stove is poetry in motion, rotating 360 degrees on a pedestal, for warmth where needed.

With its elegant, cylindrical form and effective display of the fire, the Spin is designed for ease of use and is created with the highest quality materials. Come home to a touch of European flare with a VisionLINE Spin wood burning stove.

Key Features:

- 360 degrees rotation
- Elegant integrated door handle concealed behind the main door
- Distinctive smokeless surface paint
- Concealed handle to operate primary and secondary air
- 340mm logs can be used
- Self closing door system
- Dual latching door provides solid operation
- Winter white hue in burning chamber
- Designed as secondary source heating
- Durable 25mm firebrick sides and baffles



BURN TIME
Up to 4h



AVG EFFICIENCY
61%



PEAK EFFICIENCY
68%



EMISSIONS
1.2G/KG



HEATING CAPACITY
Up to 12 SQ



LOG LENGTH
Max 340mm

CIRCLE

Simple in design, and contemporary in style, the VisionLINE Circle wood burning fireplace melds seamlessly into any space. For interiors where size is an issue, the minimalism of its rounded form strikes a strong impression, with the Circle perfect for placement in the centre of a room.

Clean lines, cutting edge technology and high quality materials ensure the Circle will warm and burn brightly for decades to come.

Key Features:

- Winter white hue in burning chamber
- Elegant integrated door handle
- Distinctive smokeless surface paint
- Concealed handle to operate primary and secondary air
- Full cast iron grate
- Self closing door system
- Dual latching door provides solid operation
- Black glass covered sliding drawer door
- Ready to connect to outside air via rear inlet or directly to the spigot with VisionLINE AIR pipe
- Designed as secondary source heating
- Durable 25mm firebrick sides and baffles



BURN TIME
Up to 4h



AVG EFFICIENCY
61%



PEAK EFFICIENCY
68%



EMISSIONS
1.0G/KG



HEATING CAPACITY
Up to 12 SQ



LOG LENGTH
Max 300mm



TAURUS

A feature-rich slow combustion unit, the VisionLINE Taurus unit encompasses style and class with efficient, radiating heat.

The rectangular fireplace is distinguished by its high-quality materials and is offered in 3 different models, melding into any space with ease.

Accompanied by a large heating capacity and long burn time the VisionLINE Taurus unit will emanate warmth and sophistication, transforming any space with its sleek and modern design.

Key Features:

- Heavy duty 50mm firebrick baffle
- Steel construction with self-cleaning white hue brick liners
- Self-closing door with dual latching mechanism
- Deep internal ash lip to prevent spillage
- Available configurations
 - Freestanding (with fan option)
 - Zero clearance (installation into timber stud frame)
 - Insert into brick fireplace
- Heating capacity to suit a large home
- Long burn time
- Large full glass door with modern removable door handle



INBUILT ZC



BURN TIME
Up to 12h



AVG EFFICIENCY
61%



PEAK EFFICIENCY
74%



EMISSIONS
1.3G/KG



HEATING CAPACITY
Up to 22 SQ



LOG LENGTH
Max 700mm

FREESTANDING



BURN TIME
Up to 12h



AVG EFFICIENCY
61%



PEAK EFFICIENCY
74%



EMISSIONS
1.3G/KG



HEATING CAPACITY
Up to 30 SQ



LOG LENGTH
Max 700mm

NEGATIVE & POSITIVE PRESSURE

A slow combustion fireplace requires oxygen to complete the combustion cycle; oxygen is a natural component of the atmosphere. In order for the fireplace to work correctly it needs to draw, which requires positive pressure.

The oxygen and consequently the air used in the combustion process must be replaced to create positive pressure.

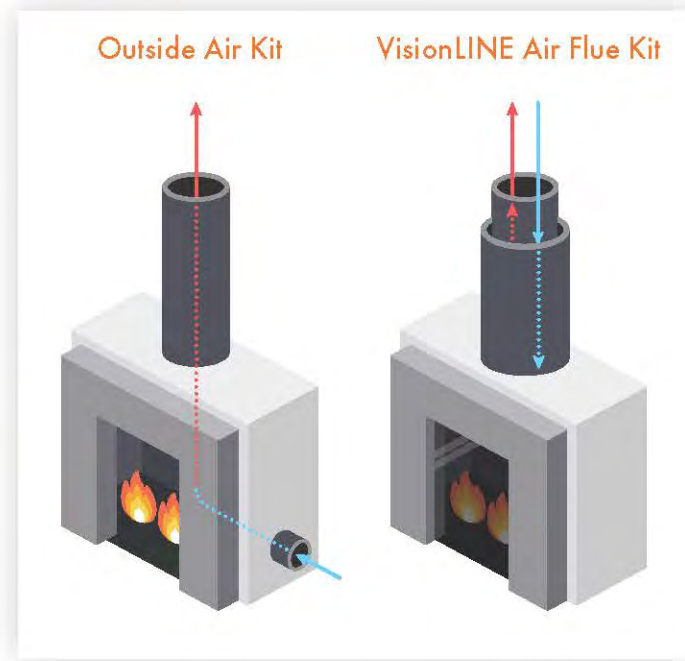
In older homes, this is created by air being drawn into the house via window and or door gaps, electrical outlets and other non-sealed penetrations such as recessed lighting.

In modern homes, heavy insulation and the sealing of gaps in doors and windows creates an air tight and energy efficient home – this has a negative effect on the air pressure within the house which prevents the fire from drawing and working correctly.

Other outside influences such as extraction systems for bathrooms and kitchens also create this negative pressure.

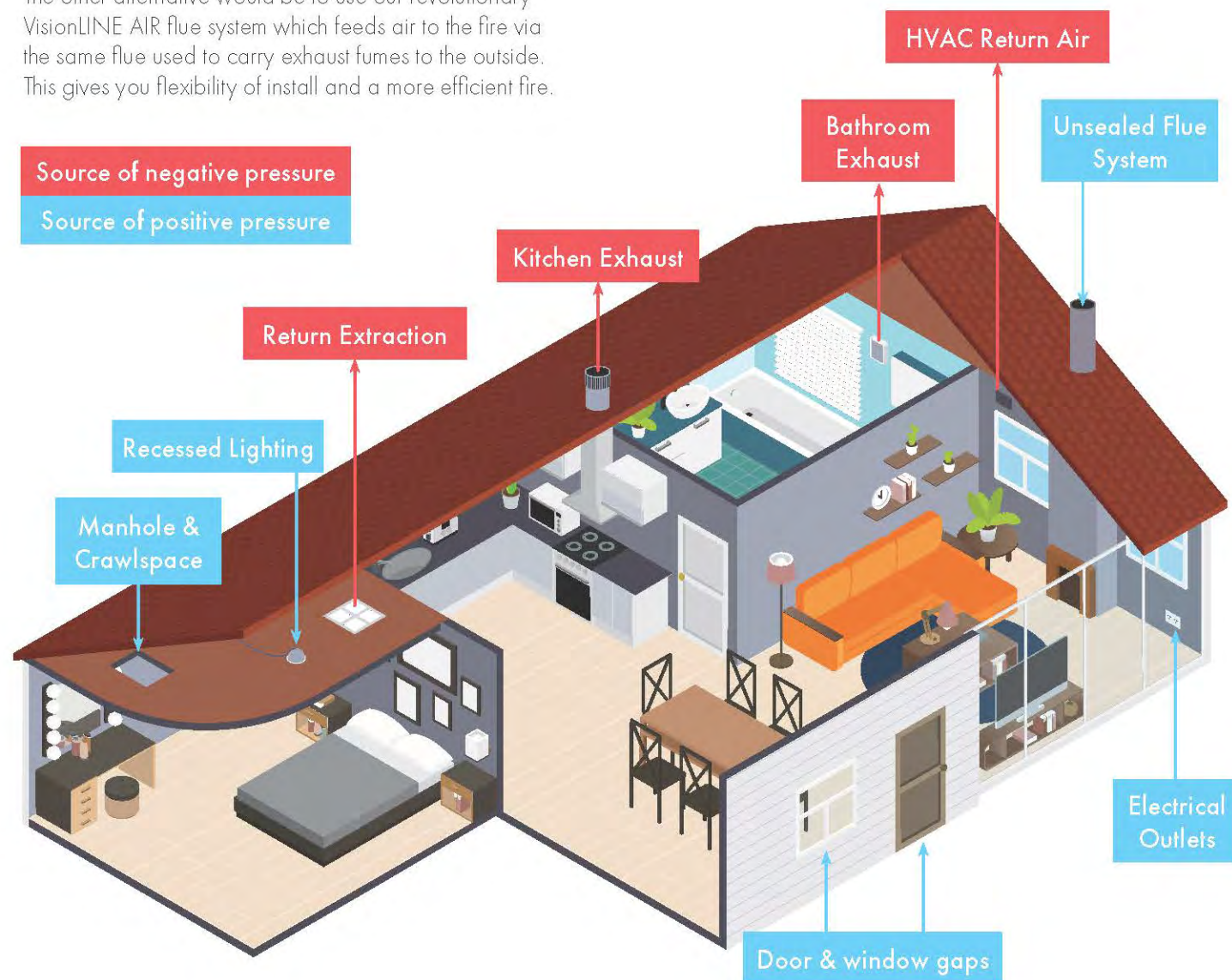
To overcome this, an outside air kit may be fitted, this is a secondary air pipe fitted directly to the fire to feed the fire air independent of the room.

The other alternative would be to use our revolutionary VisionLINE AIR flue system which feeds air to the fire via the same flue used to carry exhaust fumes to the outside. This gives you flexibility of install and a more efficient fire.



Source of negative pressure

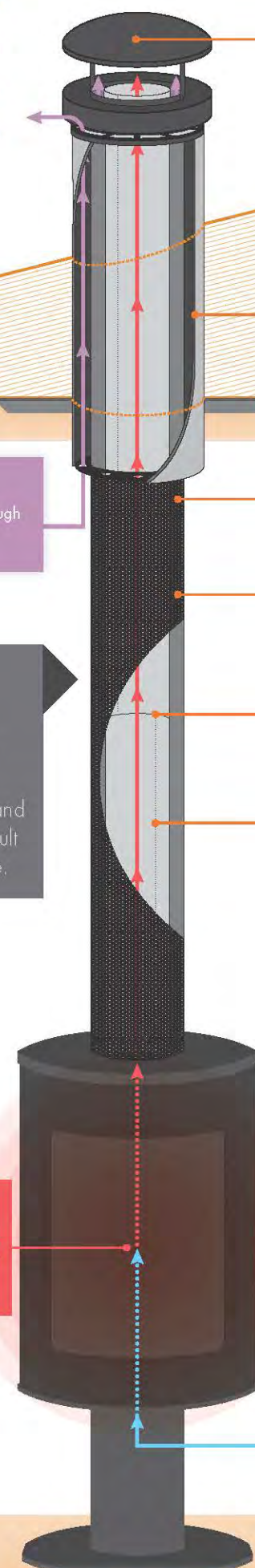
Source of positive pressure



Model featured: Taurus zero clearance

**NEGATIVE PRESSURE/
BALANCED FLUE SYSTEM KEY:**

- Flue Features
- Exhaust Fumes
- Flue Cooling Air
- Air for Combustion



**visionLINE™
DEFAULT FLUE**
High quality, designed in Australia and simple to install, the VisionLINE default flue melds seamlessly into any home.

FIREPLACE DRAW
As the fire operates, room air is pulled in to the unit for combustion. All smoke and hot gases are drawn up and out of the flue.

EURO FLUE CAP
The European designed wide cap is made from full 304 grade stainless steel and withstands extreme weather. The wind rim band has been designed to reduce down draft effects even in the heavy gusting winds.

TRIPLE SKIN FLUE
Air cooled through penetration points and roof.

FLAT TRIM PLATE
2mm thick steel ring with build in spacers for sleek modern finish.

ALL POWDER COATED
More robust than traditional paint with a satin black finish.

VISIONLINE SILHOUETTE MESH
Fine modern mesh provides a safeguard for the hot flue with a rear heat shield. Also available in a solid 8" outer casing.

DESIGNED FOR EASIER INSTALLATION
4 x 1 metre crimped lengths that slide seamlessly together.

SEAM WELDED STAINLESS INNER FLUE
VisionLINE's welded seams ensure a perfectly rounded flue for easier installation.

SECONDARY VENTILATION
When using a default flue, air will need to be provided to the fire through door and window gaps or ventilation.

AIR INTAKE
Vents built into the fireplace combust and feed the fire. (Location varies between makes and models).



AIR FLUE CAP
With all the features of the standard Euro Flue Cap except it is upgraded to marine grade 316 stainless steel construction.

AIR INTAKE
Air required to feed the fire is drawn directly from outside through the insulated secondary casing, eliminating drafts or the need for ventilation.

INSULATED INNER & OUTER FLUE
Insulated pipe does not require room air to cool and achieve clearance. Traditional default kits use room air from the drop box to cool the flue and vent under the flue cap, causing heated air loss. VisionLINE Air requires no room air, and is fully sealed at the ceiling plate height. Unit efficiency is increased allowing for easier start-up, and maintaining flue temperature for more consistent burns.

FULLY SEALED SYSTEM
Completely sealed at the ceiling ensures prevention of heat loss and increased efficiency. No ventilation trim plate is required. Twist lock connection completely seals as opposed to traditional crimp joints. Simple start up and maintains flue temperature through burn cycle resulting in more consistent heat.

ACTIVE PIPE
Smoke and impurities are drawn out via the active 6" inner pipe.

SOLID 8" OUTER CASING
For a modern sleek finish.

MARINE GRADE STAINLESS STEEL
All components are crafted from 316 stainless steel. Designed to withstand coastal conditions and high humidity.

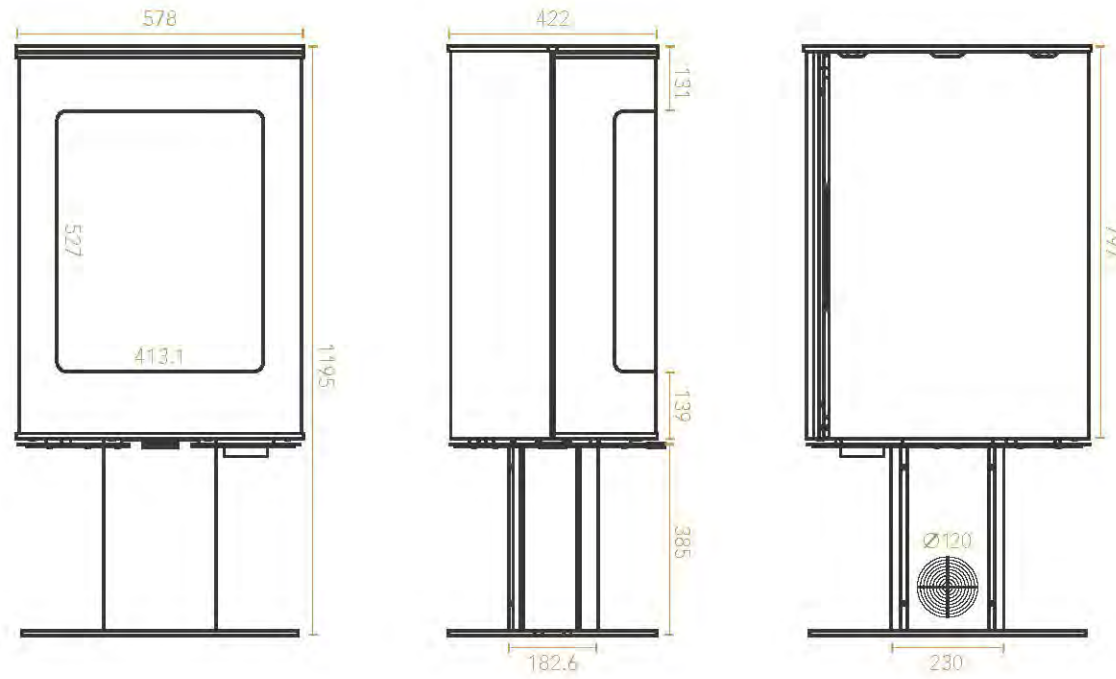
INTAKE AIR CONNECTION
The intake air can be connected directly to the spigot for units which support co-axial connection or to outside air intake with our optional adjustable connection pipe.

UNCOMPROMISING HEAT
The VisionLINE flue pipe draws combustion air directly to the fire, there are no cold drafts or need for ventilation providing you with safe, effective and efficient way to warm your home.

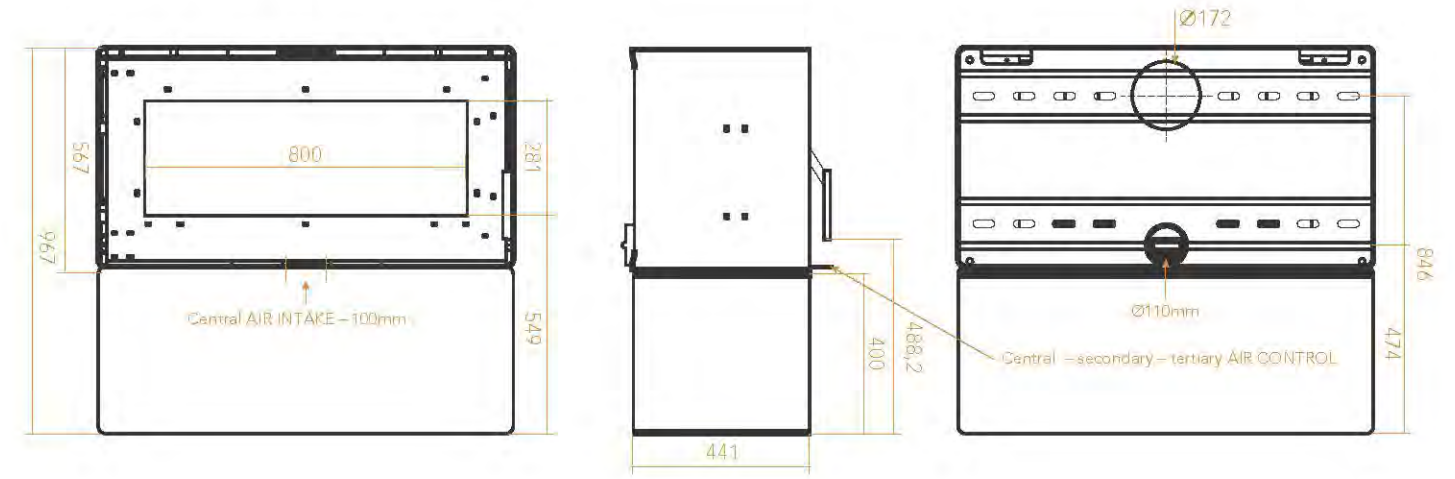
EXHAUST
Natural draw exhausts smoke and impurities up the pipe and out the flue cap.

**visionLINE™
AIR FLUE**
Designed in Europe for high efficiency homes, the VisionLINE air flue is crafted with the highest quality materials and packed with state of the art technology, enhancing your fire while maintaining indoor air quality and efficiency.
VisionLINE Air Flue Approval number to AS/NZS 2918:2018 Appendix F is ASFT20032. Issued on 3rd April 2020.

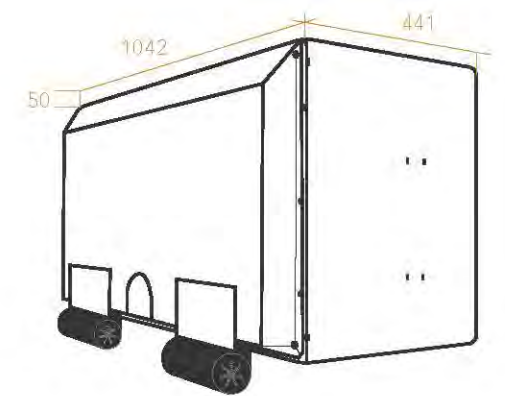
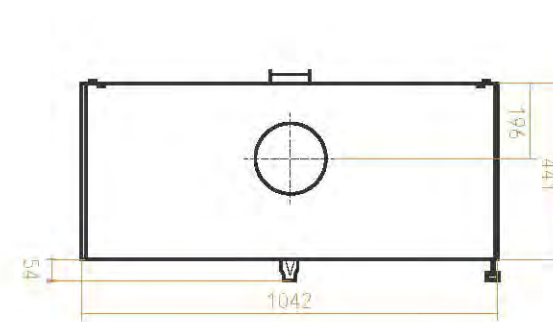
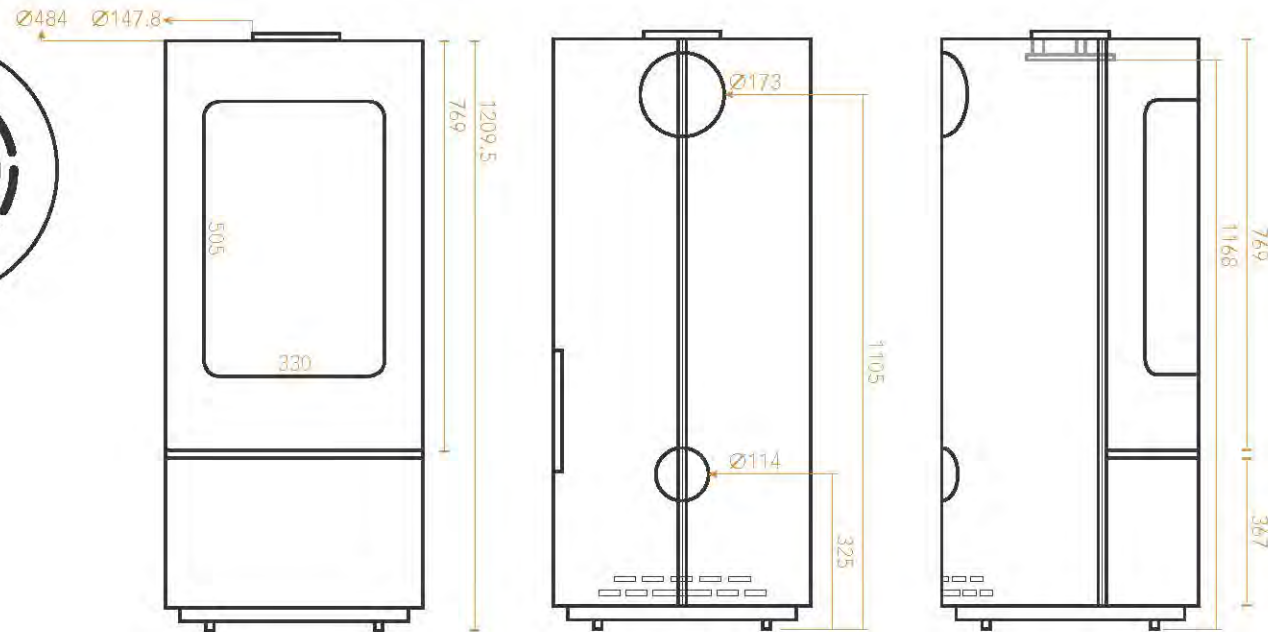
SPIN



TAURUS



CIRCLE



Inbuilt ZC specifications are available online.

Hearth Requirements (minimum thickness 6mm)

Clearance (minimum distance to combustibles)

	Length	Width	Rear Wall	Side Wall
Spin - fixed	725mm	780mm	450mm	650mm
Spin - rotating	1025mm	780mm	1500mm	1500mm
Circle	785mm	700mm	125mm	550mm

Hearth Requirements (minimum thickness 6mm)

Clearance (minimum distance to combustibles)

	Depth	Width	Rear Wall	Side Wall	Top
Freestanding	740mm	1230mm	450mm**	475mm	-
Inbuilt ZC	300mm*	1230mm	50mm	10mm	300mm

*When unit is raised 400mm off ground which is the when using wood stack base | **200mm with rear heatshield

visionLINE™

FIREPLACE SYSTEMS

VisionLINEFire.com.au



Designed in Europe & Australia



Australian
Home Heating
Association Inc.



FIREWOOD ASSOCIATION
OF AUSTRALIA INC™